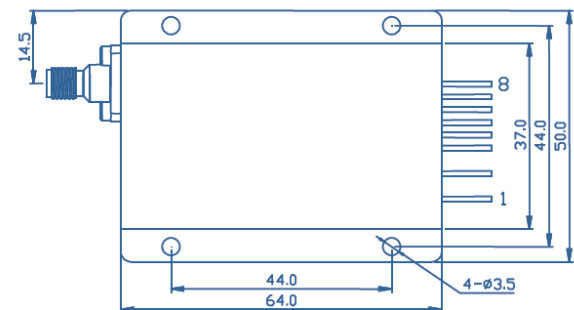
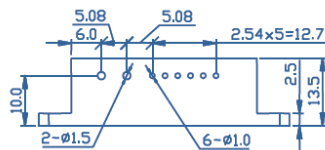


Model		M808±10-30-D200/22-C5-AP	
Optical Parameters	Unit	Typical	
Output power	W	30	
Central wavelength	nm	808	
Wavelength tolerance	nm	± 10	
Spectral width (FWHM)	nm	< 5.0	
Wavelength temp. coefficient	nm/°C	0.35	
Optical Fiber Connector			
Fiber core diameter	µm	200	
Numerical aperture		0.22	
Fiber connector	-	SMA905	
Electric Parameters			
Threshold current	A	0.85	
Operating current	A	4.5	
Operating voltage	V	15.0	
Electrical-to-Optical efficiency	-	44%	
Red Aiming Beam			
Wavelength	nm	650±10	
Output power at fiber end	mW	2	
Operating current	mA	<30	
Operating voltage	V	5	
Other Parameters			
Operating temperature	°C	15 – 35	
Operating humidity	%	< 75	
Storage temperature	°C	-20 – +80	
Soldering temperature	°C	250 (10s)	

Pinout	Function
1	LD +
2	LD -
3	PD (N)
4	PD (P)
5	Thermistor
6	Thermistor
7	Red Aiming +
8	Red Aiming -



Compliance with Regulatory Requirements: This industrial laser is an OEM version of a laser diode. As such, it is intended only for integration into other equipment. This laser does not comply with IEC and CDRH requirements. The customer is responsible for IEC and CDRH certifications of the system that incorporates this industrial laser.

