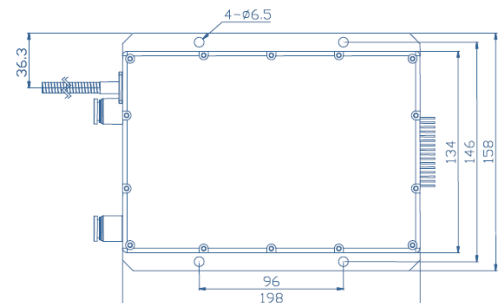
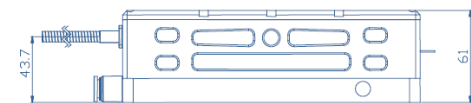
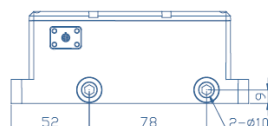
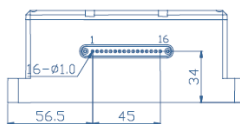


Model		M450±10-100-F100/22-V5W-AP		
Optical	Unit	Min	Typical	Max
Output power (exit fiber)	W		100.0	
Centroid wavelength	nm	440	450	460
Spectral width (FWHM)	nm		6.0	
Number of submodule	-		2	
Fiber				
Core diameter	µm	98	100	102
Numerical aperture	-	0.20	0.22	0.24
Length	m		1 - 5	
Connector	-		SMA905	
Electric (submodule)*				
Threshold current	A		0.60	
Operating current	A		2.60	3.00
Operating voltage	V		56.0	57.0
Slope efficiency	W/A		21.5	
Power conversion efficiency	%	30.0	34.0	
Accessories				
Thermistor	kΩ		10k@25°C	
Red pilot beam	-		650nm, +5VDC	
Absolute Ratings				
Operating (water) temperature	°C		20 - 25	
Operating humidity	%		< 75	
Storage temperature	°C		-20 - +80	
Storage humidity	%		90	

* Measured on 20°C cooling water

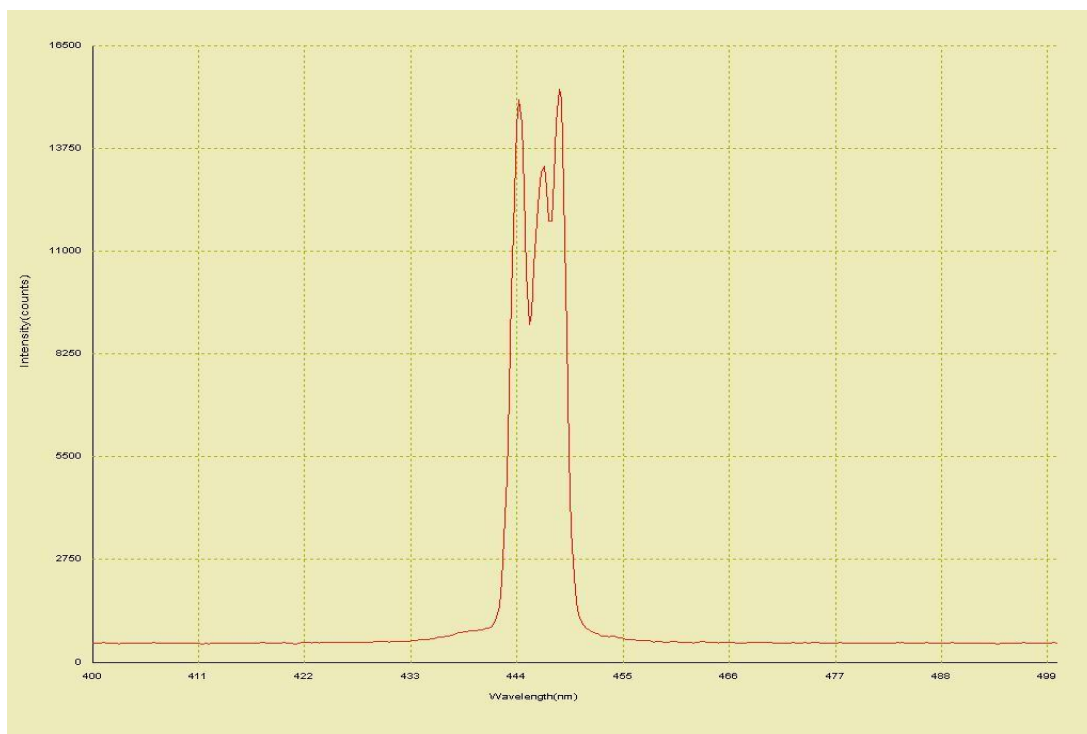
Pinouts			
1	LD 1 Anode	9	Red pilot +5VDC
2	LD 1 Cathode	10	Red pilot GND
3	LD 2 Anode	11	Thermistor
4	LD 2 Cathode	12	Thermistor
5	NC	13	NC
6	NC	14	NC
7	NC	15	PD Cathode
8	NC	16	PD Anode



Compliance with Regulatory Requirements: This industrial laser is an OEM version of a laser diode. As such, it is intended only for integration into other equipment. This laser does not comply with IEC and CDRH requirements. The customer is responsible for IEC and CDRH certifications of the system that incorporates this industrial laser.



Spectrum



Power – Current (series connected submodules)

